

# Cable Munkey™

## Cable Management Made Easy

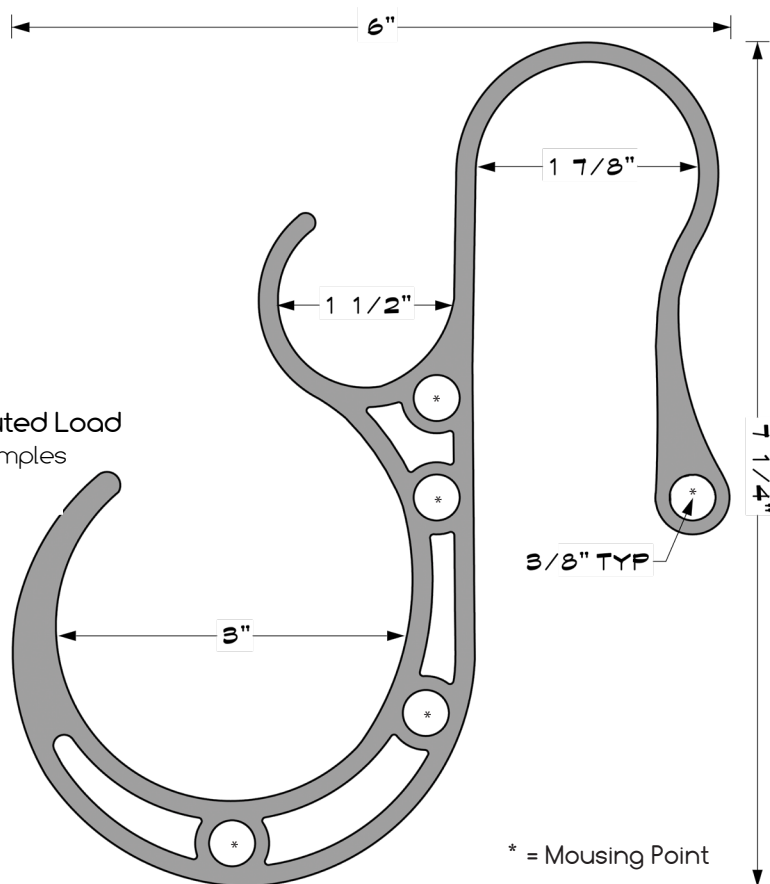
*All for the price of a sheet of gel*

Cable Munkey™ easily slips onto battens or truss giving the user a quick and easy way to attach cable. Data and power cables each run in their own separate hook for easy access, troubleshooting, and reduced electrical interference. With integrated mousing points, cable can be secured for temporary use, permanent installations, or tours. Place a Cable Munkey™ every four feet and you're ready to go.

### Features:

- ◇ Save Time During Hang and Strike
- ◇ Greatly Reduce Tieline Needs and Cost
- ◇ Separate Hooks for Power and Data
- ◇ Durable and Reusable
- ◇ One Handed Operation
- ◇ Non-Scratch Design
- ◇ Molded Black Glass Filled Polypropylene
- ◇ 5 Internal Mousing Points
- ◇ Low Profile
- ◇ Fits Standard 1 1/2" Battens & 2" Truss
- ◇ Made in the USA
- ◇ Patent Pending
- ◇ Each Holds Up To 24 lbs of Cable in a Distributed Load
  - » Cable Munkey Placement Every 4 Feet Load Examples
    - △ 6-Multi and 6-DMX Cables Over 40 Feet
    - △ 12-SJO (12/3) and 12-DMX Cables Over 40 Feet

\*Not Intended for Point Loads  
Cable Munkey LLC Is Not Liable For The Misuse Of Its Products



[info@cablemunkey.com](mailto:info@cablemunkey.com)

[www.cablemunkey.com](http://www.cablemunkey.com)

[sales@cablemunkey.com](mailto:sales@cablemunkey.com)